

### LB-5-25-A Standard Gain Horn Antenna 140-220GHz 25dB Gain Rectangular Waveguide Interface

Standard Gain Horn Antenna Operating From 140GHz to 220GHz With a Nominal 25dB Gain With Rectangular Waveguide Interface



## Product Information

SKU	LB-5-25-A
-----	-----------

## Description

Standard Gain Horn Antenna LB-5-25-A, operating from 140 to 220GHz with a nominal 25dB gain and low VSWR 1.2:1 with UG387/U-M output. The model LB-5-25-A has uniform gain through its frequency span, providing efficient performance characteristics and directionality. Constructed of lightweight corrosion-resistant aluminum, the antenna will provide years of trouble-free indoor and outdoor service. This standard gain horn antenna is linearly polarized and ideally suited for EMI testing, direction finding, surveillance, antenna gain and pattern measurements and other applications.

## Technical Specification

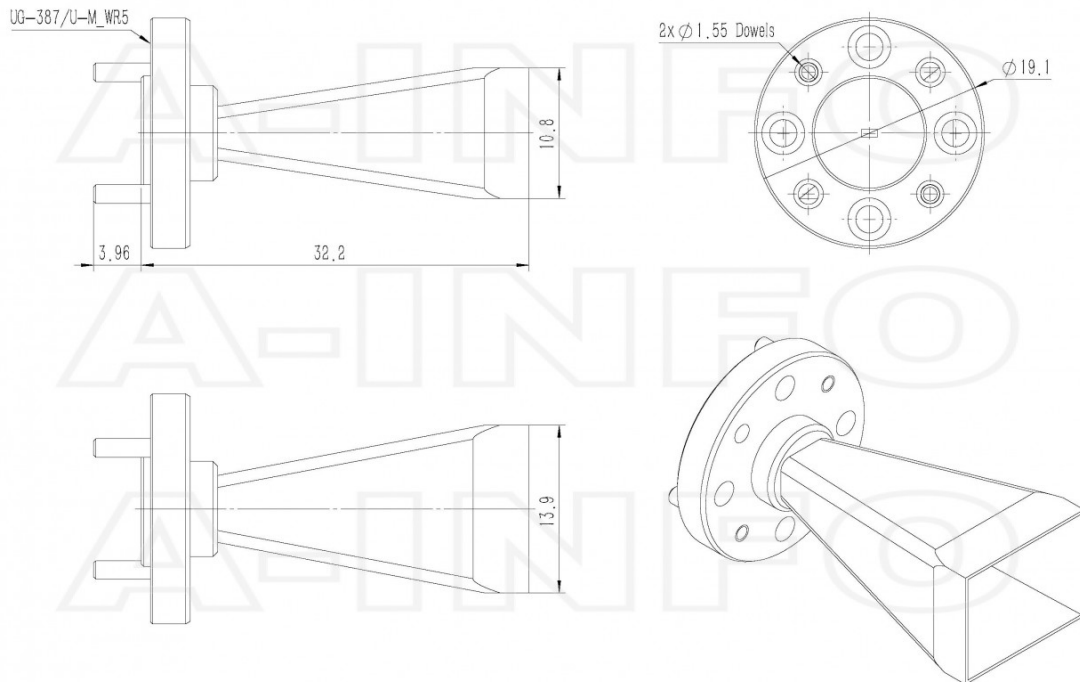
Electrical Specification		Interface	
Frequency, Min (GHz)	140	Output Type	Waveguide
Frequency, Max (GHz)	220	Flange Style	Round
Waveguide Type	Rectangular	Flange Type	Cover
Waveguide Size EIA WR	WR5	Flange Designation	UG-387/U-M
Gain, Typ (dBi)	25	Connector Gender	N/A
Polarization	Linear	Mechanical Specification	
3dB Beamwidth, E-Plane, Typ (Deg.)	9	Figure	A Type
3dB Beamwidth, H-Plane, Typ (Deg.)	10	Body Material	Cu
Cross Pol. Isolation, Typ (dB)	35	Finish	Gold Plated
VSWR, Typ	1.2:1	Size, W (mm)	19.1
		Size, H (mm)	19.1
		Size, L (mm)	32.2
		Weight, (kg)	0.015

## Additional Information

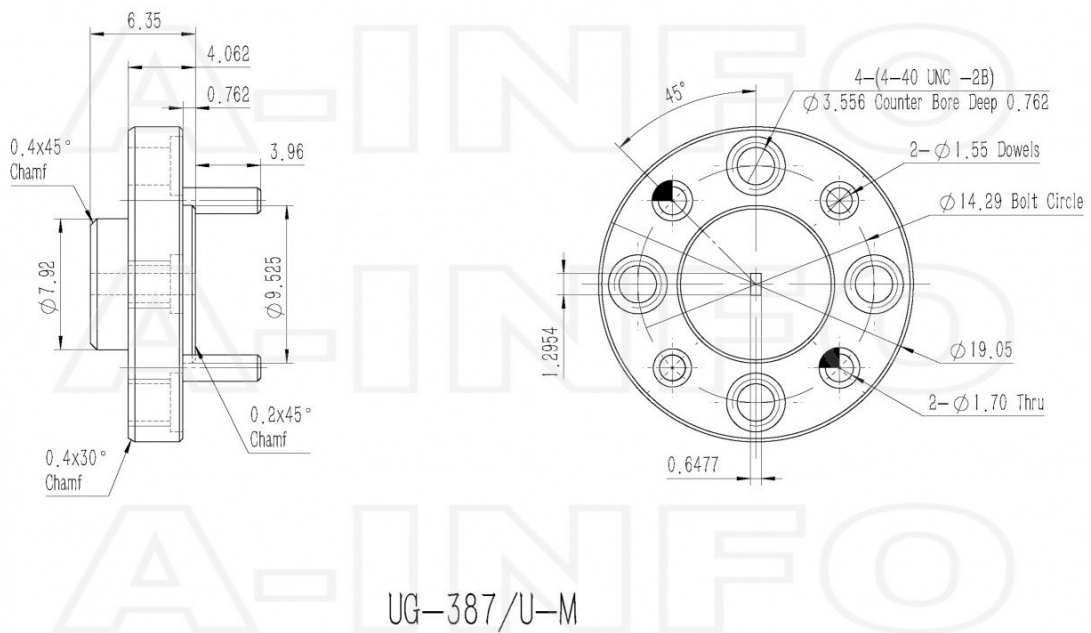
Application	General Purpose Indoor & Outdoor, Fixed	Solution for	Gain Reference Antenna Measurement Reflector Feed Far-field Measurement System Intergration Material Measurement
-------------	---	--------------	---

## Outline Drawing

UG-387/U-M Output (P/N: LB-5-25-A)

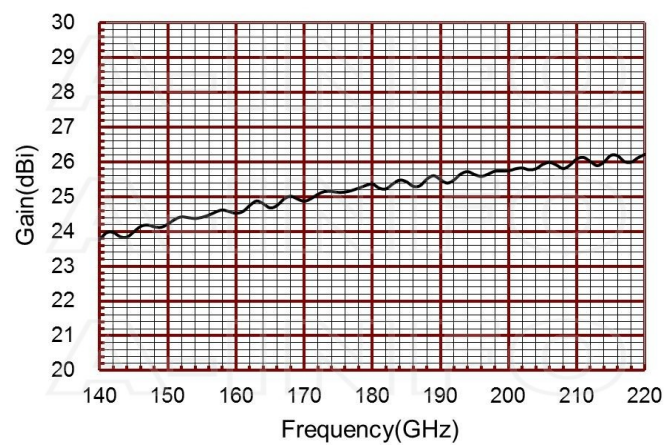


## Flange Drawing

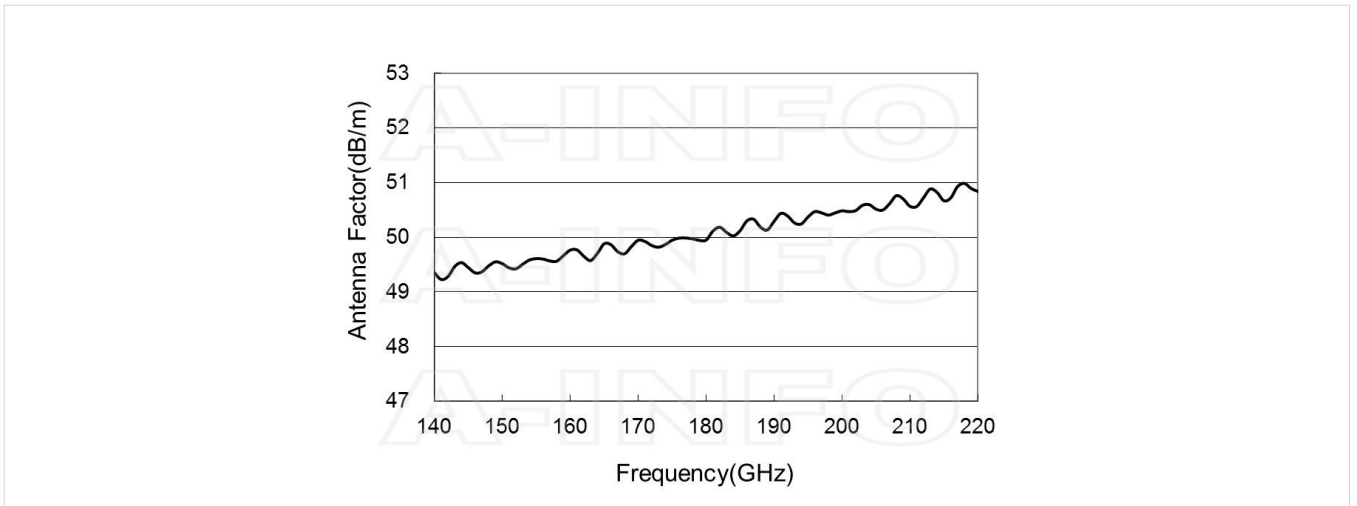


## Typical Test Results

### Gain



## Antenna Factor

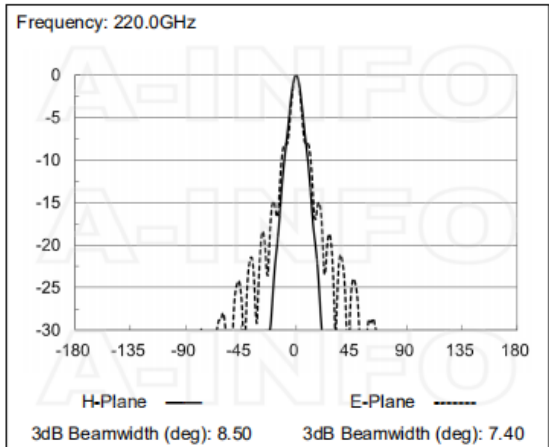
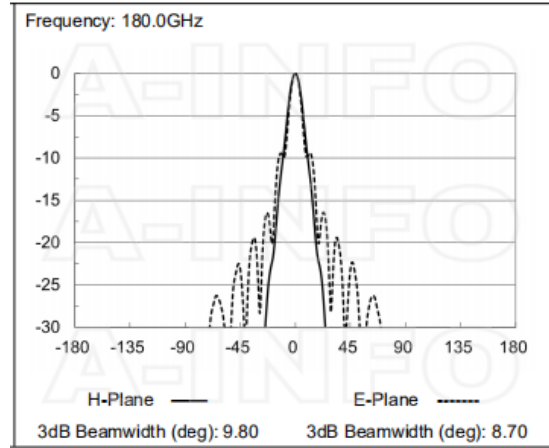
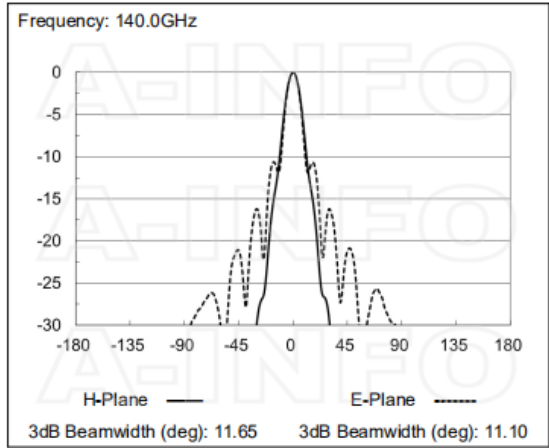




Antenna Factor (Table)

Frequency (GHz)	Gain (dBi)	Antenna Factor (dB/m)	Frequency (GHz)	Gain (dBi)	Antenna Factor (dB/m)
140	23.78	49.35	181	25.25	50.11
141	23.97	49.23	182	25.23	50.19
142	23.97	49.28	183	25.37	50.09
143	23.85	49.47	184	25.48	50.03
144	23.84	49.54	185	25.43	50.12
145	23.99	49.45	186	25.30	50.30
146	24.15	49.35	187	25.32	50.33
147	24.19	49.37	188	25.51	50.19
148	24.14	49.48	189	25.61	50.13
149	24.12	49.55	190	25.49	50.29
150	24.21	49.52	191	25.39	50.44
151	24.35	49.44	192	25.49	50.39
152	24.42	49.42	193	25.66	50.26
153	24.40	49.51	194	25.72	50.24
154	24.38	49.59	195	25.64	50.37
155	24.41	49.61	196	25.59	50.47
156	24.47	49.60	197	25.65	50.45
157	24.56	49.57	198	25.74	50.41
158	24.62	49.56	199	25.74	50.45
159	24.57	49.67	200	25.75	50.48
160	24.53	49.77	201	25.80	50.47
161	24.58	49.77	202	25.83	50.49
162	24.75	49.65	203	25.78	50.58
163	24.88	49.57	204	25.81	50.60
164	24.80	49.71	205	25.93	50.51
165	24.68	49.88	206	25.99	50.50
166	24.75	49.86	207	25.92	50.61
167	24.93	49.74	208	25.81	50.76
168	25.02	49.70	209	25.91	50.70
169	24.94	49.83	210	26.09	50.57
170	24.87	49.95	211	26.13	50.56
171	24.95	49.92	212	26.01	50.72
172	25.07	49.85	213	25.89	50.88
173	25.15	49.82	214	26.00	50.82
174	25.15	49.87	215	26.19	50.67
175	25.12	49.95	216	26.18	50.72
176	25.14	49.99	217	26.01	50.93
177	25.18	49.99	218	25.99	50.99
178	25.25	49.97	219	26.12	50.89
179	25.32	49.94	220	26.22	50.84
180	25.37	49.95			

## Pattern



## Related Products



HSCS\_4-40UNC\_Pack Assembly Pack

### Similar Products



LB-5-25-ASPO Standard Gain Horn Antenna 140-220GHz 25dB Gain Rectangular Waveguide Interface



LB-5-10-A Standard Gain Horn Antenna 140-220GHz 10dB Gain Rectangular Waveguide Interface



LB-5-10-ASPO Standard Gain Horn Antenna 140-220GHz 10dB Gain Rectangular Waveguide Interface



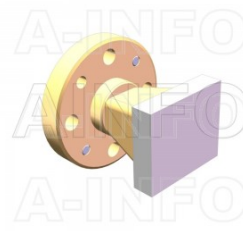
LB-5-15-A Standard Gain Horn Antenna 140-220GHz 15dB Gain Rectangular Waveguide Interface



LB-5-15-ASPO Standard Gain Horn Antenna 140-220GHz 15dB Gain Rectangular Waveguide Interface



LB-5-20-A Standard Gain Horn Antenna 140-220GHz 20dB Gain Rectangular Waveguide Interface



LB-5-20-ASPO Standard Gain Horn Antenna 140-220GHz 20dB Gain Rectangular Waveguide Interface

### About this Datasheet

- **Product Information**

Product Link:  
<https://www.ainfoinc.com/lb-5-25-a-standard-gain-horn-antenna-140-220-ghz-25db-gain-ug387-u-m>  
 Data subject to change without notice.  
 © A-INFO INC. 2023. All Rights Reserved

- **Contact Us**

Address:  
 60 Tesla, Irvine, CA 92618, USA  
 Website:  
[www.ainfoinc.com](http://www.ainfoinc.com)  
 Email:  
[sales@ainfoinc.com](mailto:sales@ainfoinc.com)

- **Phone & Fax**

Phone:  
 +1-949-639-9688  
 +1-949-639-9608  
 Fax:  
 +1-949-639-9670